

G10D2

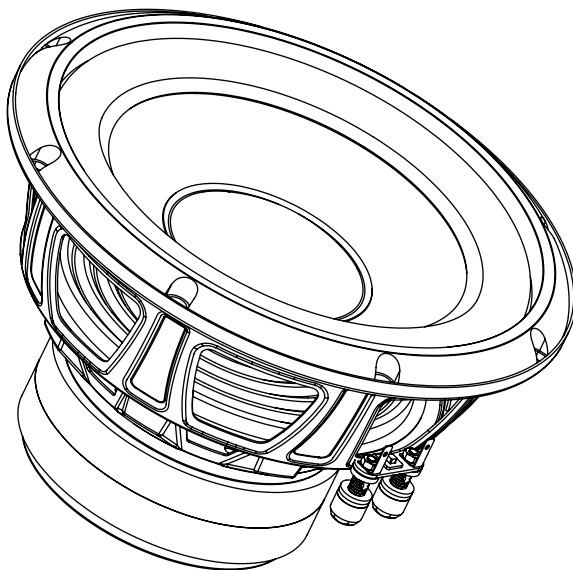
G10D4

G12D2

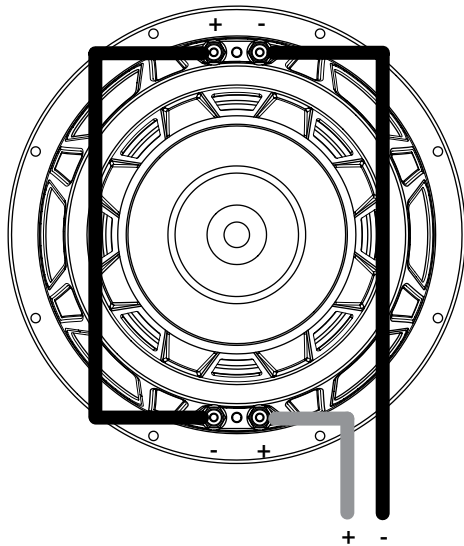
G12D4



Instruction Manual
Mode d'emploi
Manual de instrucciones
Bedienungsanleitung
руководство по
эксплуатации
manual de Instruções
Manuale di istruzioni
Käyttöohje
Gebruiksaanwijzing
Bruksanvisning
Instruktionsbog
Kullanma Kılavuzu
Instrukcja obsługi
Manual Pemilik
使用说明书

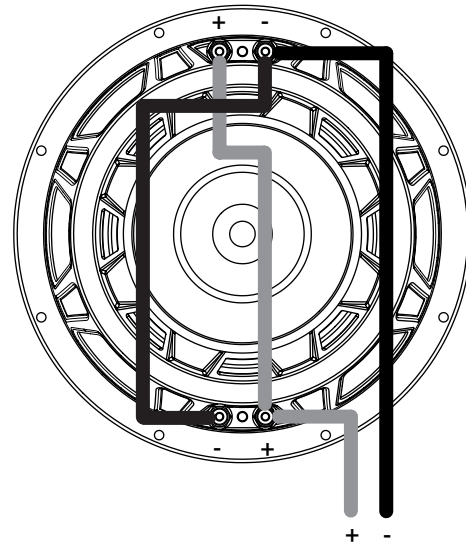


G10D2
G10D4
G12D2
G12D4



G10D2
G12D2 4Ω

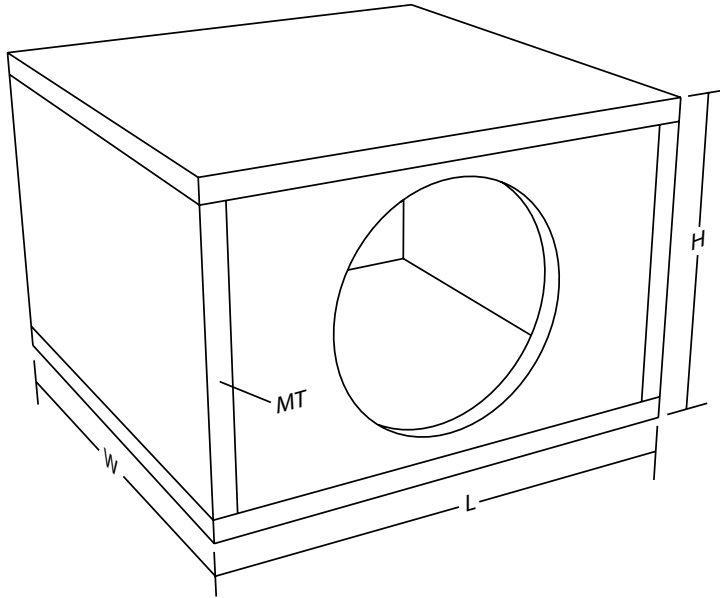
G10D4
G12D4 8Ω



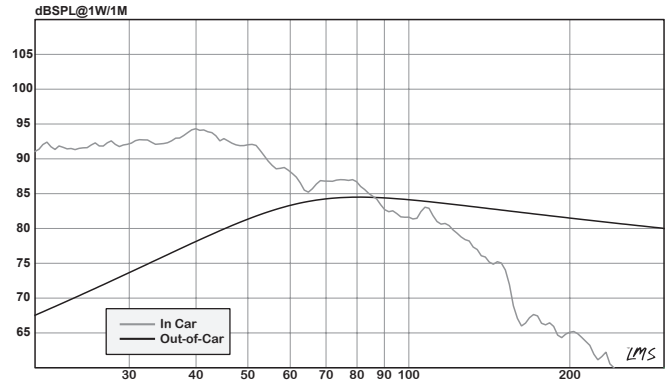
G10D2
G12D2 1Ω

G10D4
G12D4 2Ω

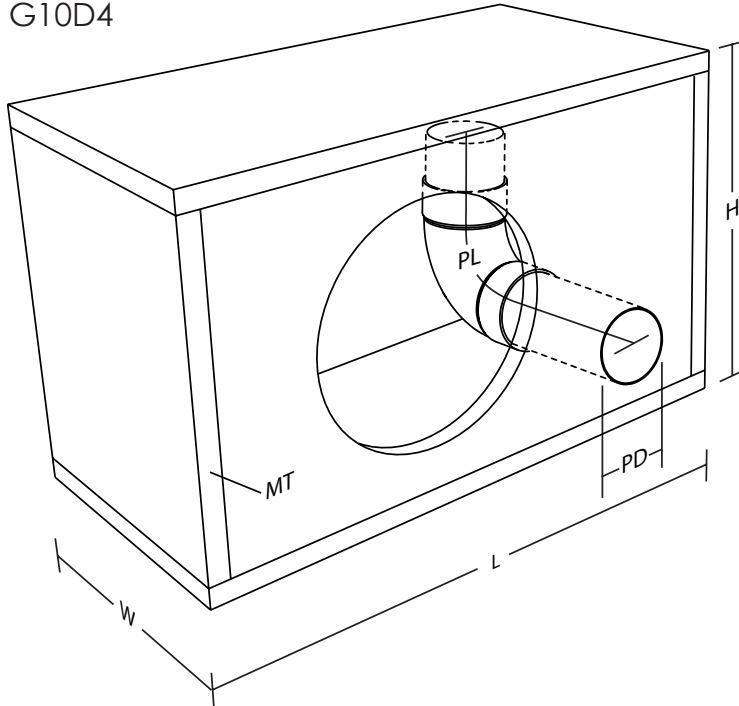
G10D2
G10D4



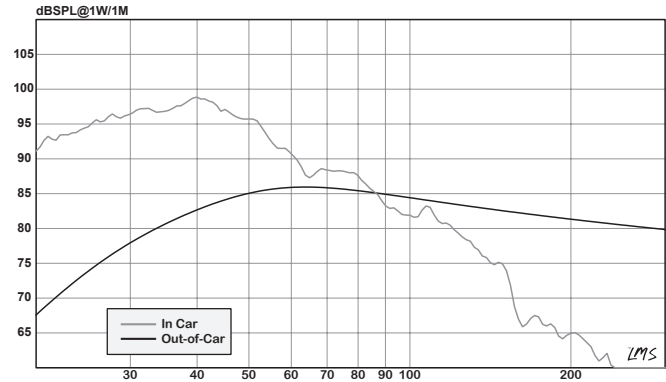
MT..... 19 mm (3/4")
L..... 318 mm (12-1/2")
W..... 305 mm (12")
H..... 305 mm (12")
Vb..... 17 ℓ (0.6 ft³)



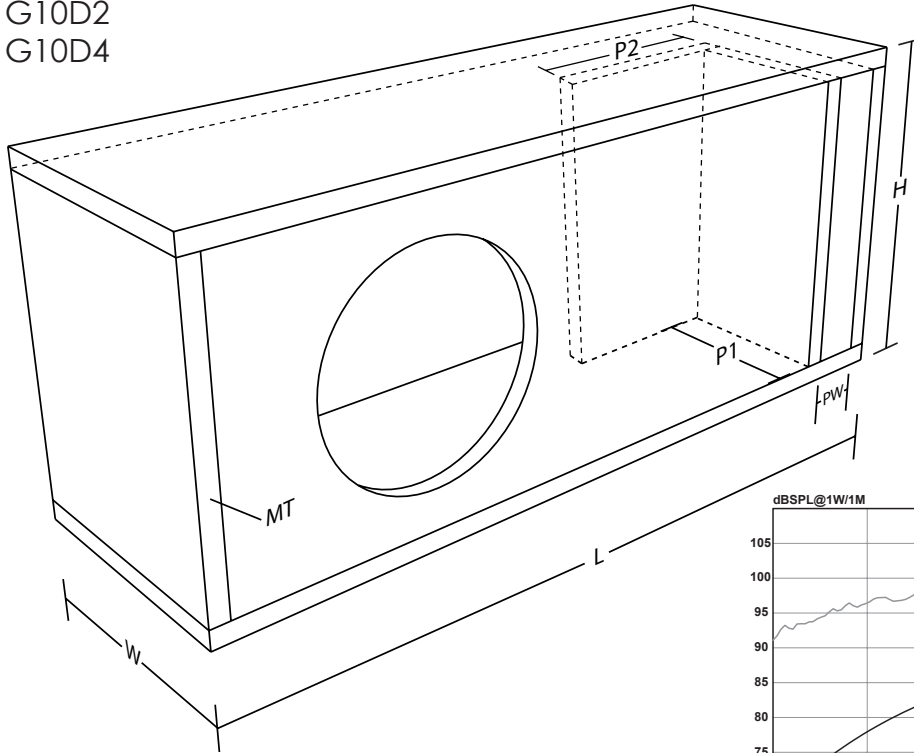
G10D2
G10D4



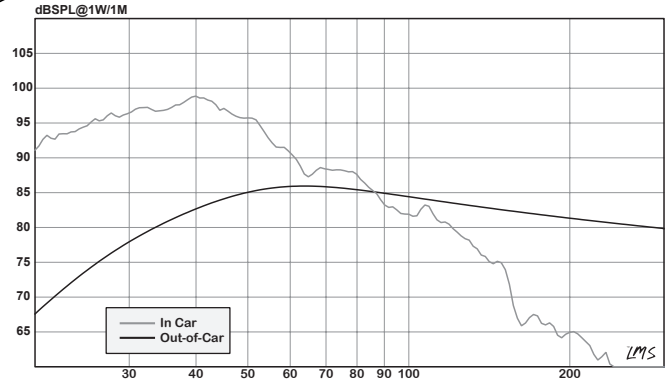
- MT..... 19 mm (3/4")
 L..... 445 mm (17-1/2")
 W..... 343 mm (13-1/2")
 H..... 318 mm (12-1/2")
 PD..... 76 mm (3")
 PL..... 330 mm (13")
- Vb..... 28.3 ℓ (1 ft³)
 Fb..... 33 Hz



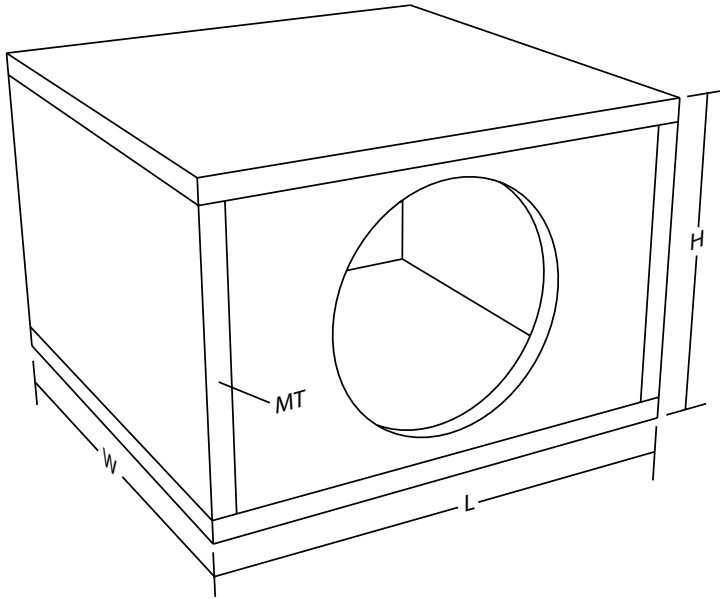
G10D2
G10D4



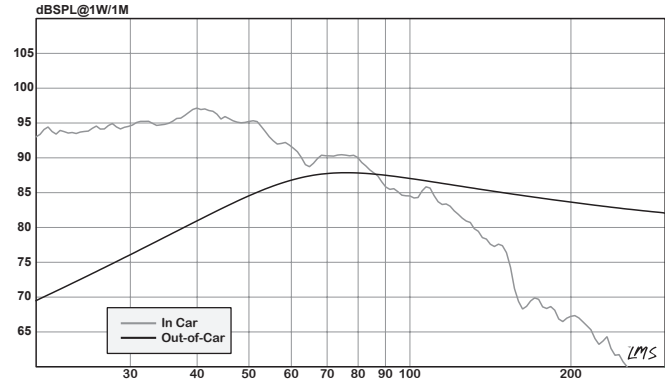
MT.....	19 mm (3/4")
L.....	496 mm (17-1/2")
W.....	343 mm (13-1/2")
H.....	318 mm (12-1/2")
PW.....	25 mm (1")
P1.....	280 mm (11")
P2.....	165 mm (6-1/2")
Vb.....	28.3 ℓ (1 ft ³)
Fb.....	33 Hz



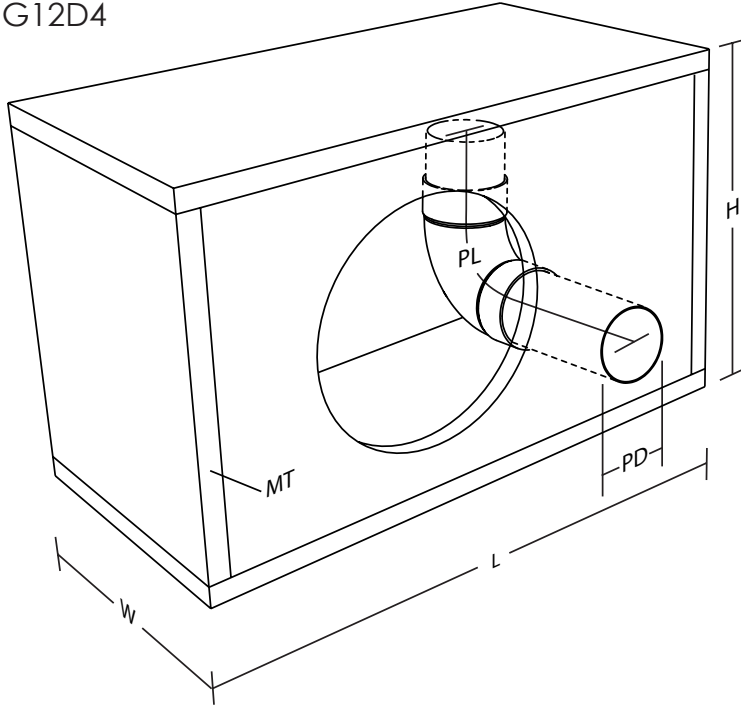
G12D2
G12D4



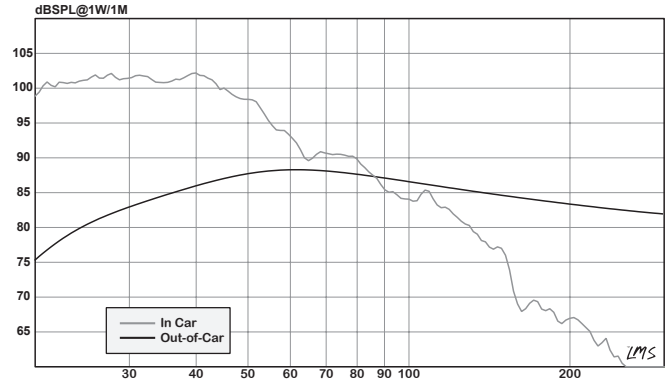
MT..... 19 mm (3/4")
L..... 281 mm (15")
W..... 356 mm (14")
H..... 343 mm (13-1/2")
Vb..... 28.8 ℓ (1.02 ft³)



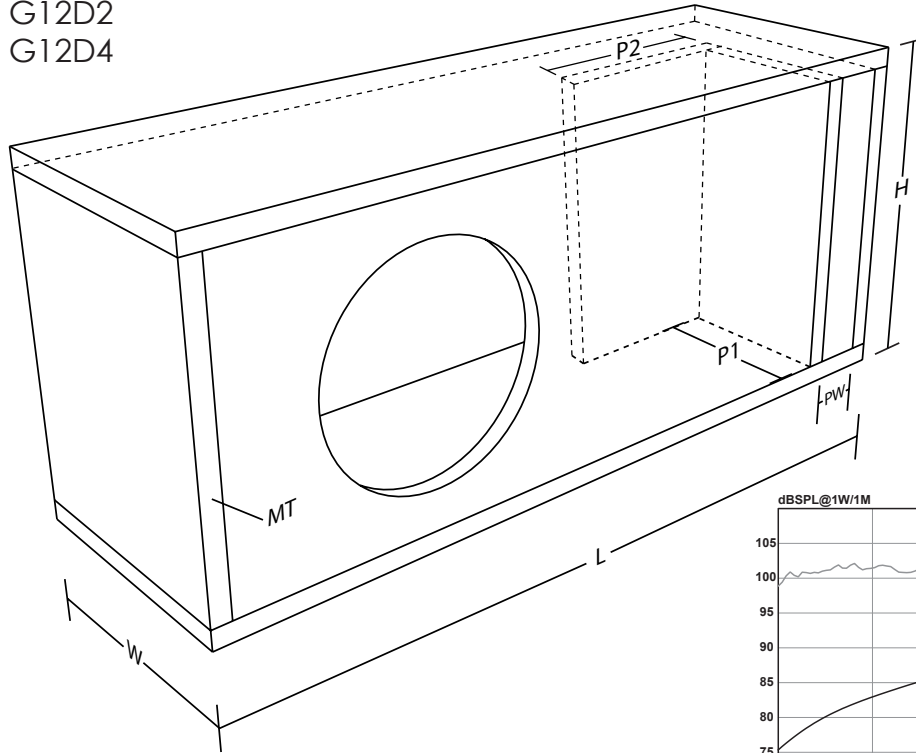
G12D2
G12D4



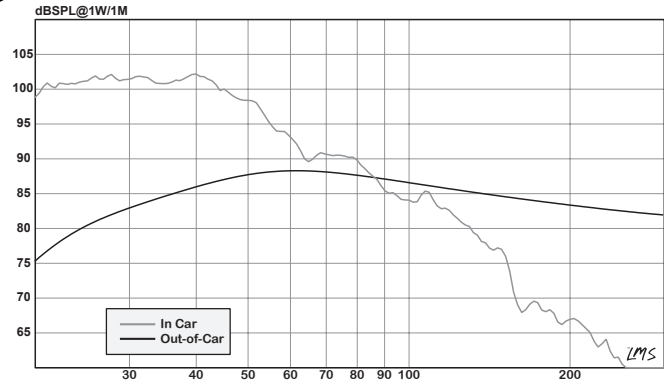
MT.....	19 mm (3/4")
L.....	508 mm (20")
W.....	381 mm (15")
H.....	356 mm (14")
PD.....	102 mm (4")
PL.....	406 mm (16")
Vb.....	42.5 ℓ (1.5 ft ³)
Fb.....	33 Hz



G12D2
G12D4



MT.....	19 mm (3/4")
L.....	572 mm (22-1/2")
W.....	381 mm (15")
H.....	356 mm (14")
PW.....	38 mm (1-1/2")
P1.....	305 mm (12")
P2.....	254 mm (10")
Vb.....	42.5 ℓ (1.5ft ³)
Fb.....	33 Hz



G10D2

G10D4

G10D2



Technical Specifications • Spécifications Techniques • Especificaciones Técnicas • Technische Daten • Технические характеристики • Especificações Técnicas • Specifiche Tecniche • Tekniset Tiedot • Technische Specificaties • Tekniska Specifikationer • Tekniske Spøkkationer • Teknik Özellikler • Dane Techniczne • Spesifikasi Teknis • 技术规格

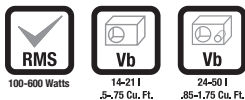


Recommendations • Recommendations • Recomendaciones • Empfehlung • Рекомендация • Recomendação • Raccomandazione • Suositus • Aanbeveling • Rekomendation • Anbefaling • Tavsiye • Rekomendacja • Rekomendasi • 推荐

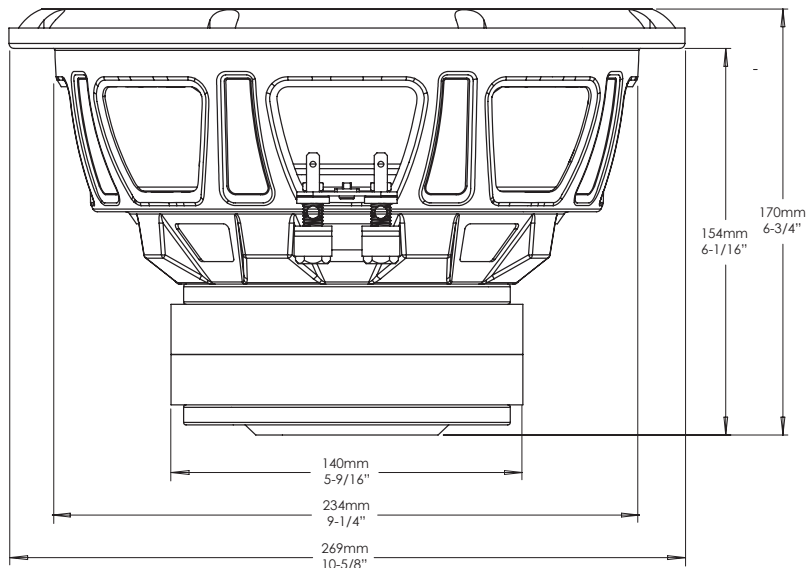
G10D4



Technical Specifications • Spécifications Techniques • Especificaciones Técnicas • Technische Daten • Технические характеристики • Especificações Técnicas • Specifiche Tecniche • Tekniset Tiedot • Technische Specificaties • Tekniska Specifikationer • Tekniske Spøkkationer • Teknik Özellikler • Dane Techniczne • Spesifikasi Teknis • 技术规格



Recommendations • Recommendations • Recomendaciones • Empfehlung • Рекомендация • Recomendação • Raccomandazione • Suositus • Aanbeveling • Rekomendation • Anbefaling • Tavsiye • Rekomendacja • Rekomendasi • 推荐



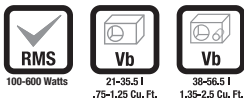
G12D2

G12D4

G12D2



Technical Specifications• Spécifications Techniques•Especificaciones Técnicas•
Technische Daten• Технические характеристики•Especificações Técnicas•
Specifiche Tecniche• Tekniset Tiedot•Technische Specificaties• Tekniska Specifikationer•
Tekniske Spezifikationer• Teknik Özellikler• Dane Techniczne• Spesifikasi Teknis•技术规格

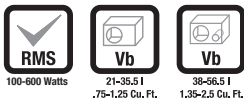


Recommendations• Recommendations• Recomendaciones• Empfehlung•
Рекомендация• Recomendação• Raccomandazione• Suositus•Aanbeveling•
Rekomendation• Anbefaling• Tavsiye• Rekomendacja• Rekomendasi• 推荐

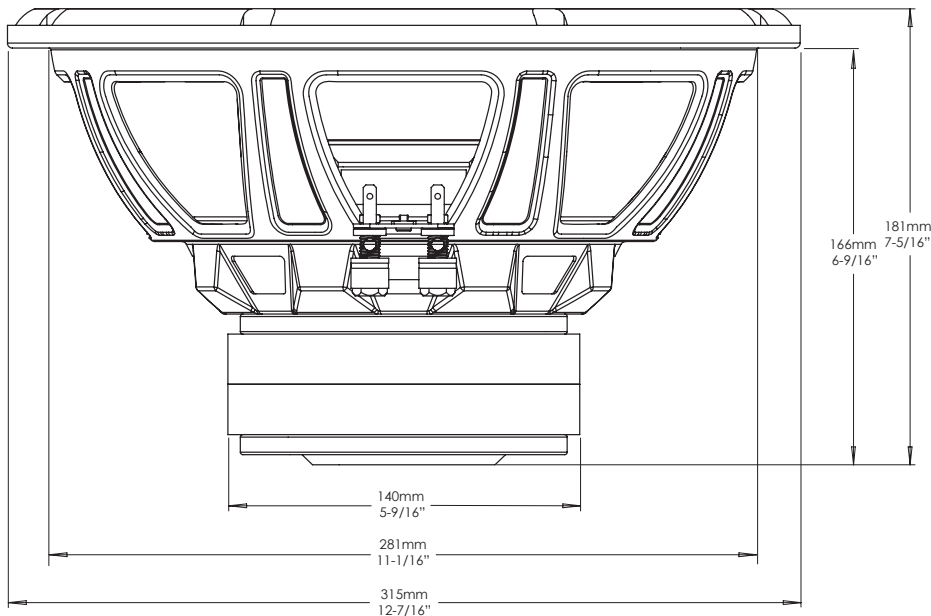
G12D4



Technical Specifications• Spécifications Techniques•Especificaciones Técnicas•
Technische Daten• Технические характеристики•Especificações Técnicas•
Specifiche Tecniche• Tekniset Tiedot•Technische Specificaties• Tekniska Specifikationer•
Tekniske Spezifikationer• Teknik Özellikler• Dane Techniczne• Spesifikasi Teknis•技术规格



Recommendations• Recommendations• Recomendaciones• Empfehlung•
Рекомендация• Recomendação• Raccomandazione• Suositus•Aanbeveling•
Rekomendation• Anbefaling• Tavsiye• Rekomendacja• Rekomendasi• 推荐



G10D2
 G10D4
 G12D2
 G12D4

	G10D2	G10D4	G12D2	G12D4
Revc.....	1 Ω	2.1 Ω	1 Ω	2 Ω
Levc@1kHz.....	0.58 mH	0.8 mH	0.6 mH	0.96 mH
Sd.....	346.4 cm ²	346.4 cm ²	510.7 cm ²	510.7 cm ²
Mmd.....	129 g	132.9 g	152 g	142 g
Mms.....	133.1 g	137 g	158 g	148 g
Cms.....	195 μm/N	200 μm/N	154 μm/N	172 μm/N
Vas.....	33 ℓ	34.3 ℓ	57 ℓ	64.1 ℓ
Fs.....	31 Hz	30 Hz	32.2 Hz	31.5 Hz
BL.....	7.35 TM	9.92 TM	7.94 TM	10.2 TM
Qms.....	7.82	6.44	6.94	6.97
Qes.....	0.50	0.56	0.52	0.58
Qts.....	0.47	0.51	0.48	0.54
Xmax (1-way linear).....	13.6 mm (9/16")	14.5 mm (5/8")	13.6 mm (9/16")	14.5 mm (5/8")
Voice Coil Diameter	50 mm (2")	50 mm (2")	50 mm (2")	50 mm (2")
Basket Displacement.....	2.26 ℓ (0.08cu.ft ³)	2.26 ℓ (0.08 ft ³)	3.14 ℓ (0.111 cu.ft ³)	3.14 ℓ (0.111 cu.ft ³)

Limited Warranty--USA

Audiofrog G Series products sold in the USA through authorized Audiofrog dealers are warranted to the original purchaser against defects in materials and workmanship for one year after the date of original purchase. They are covered for an additional year if they are installed by an authorized Audiofrog dealer. Please save your receipt. A valid receipt from an authorized Audiofrog dealer is required for warranty service. If you have purchased your G Series products outside the USA, please consult your local distributor for warranty terms and conditions.

Audiofrog, Inc.
1703 S. Magnolia Ave.
Monrovia, CA 91016
www.audiofrogusa.com

Audiofrog and the Audiofrog logo are trademarks of Audiofrog, Inc, registered in the United States and/or other countries. Audiofrog et le logo sont des marques est une marque commerciale de Audiofrog, Inc déposée aux États-Unis et/ou dans d'autres pays.