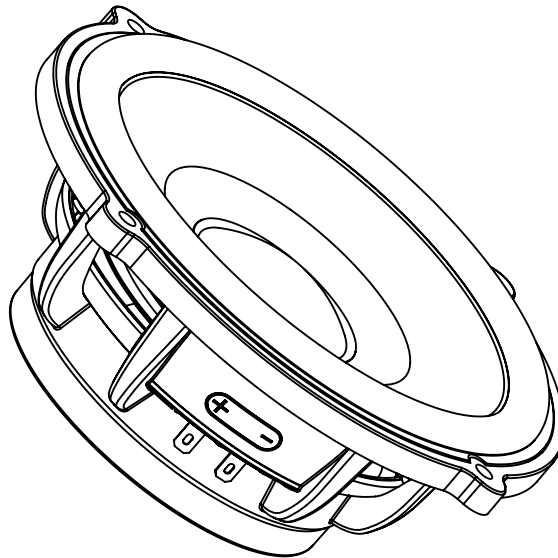
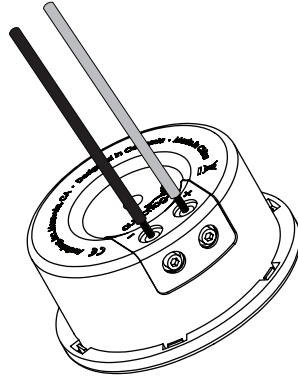
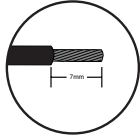


GS10
GS40
GS60
GS690



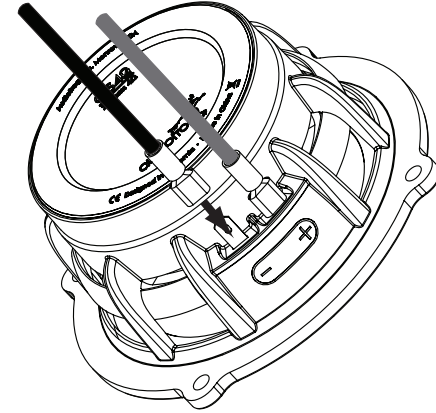
Instruction Manual
Mode d'emploi
Manual de instrucciones
Bedienungsanleitung
руководство по
эксплуатации
manual de Instruções
Manuale di istruzioni
Käyttöohje
Gebruiksaanwijzing
Bruksanvisning
Instruktionsbog
Kullanma Kılavuzu
Instrukcja obsługi
Manual Pemilik
使用说明书

GS10



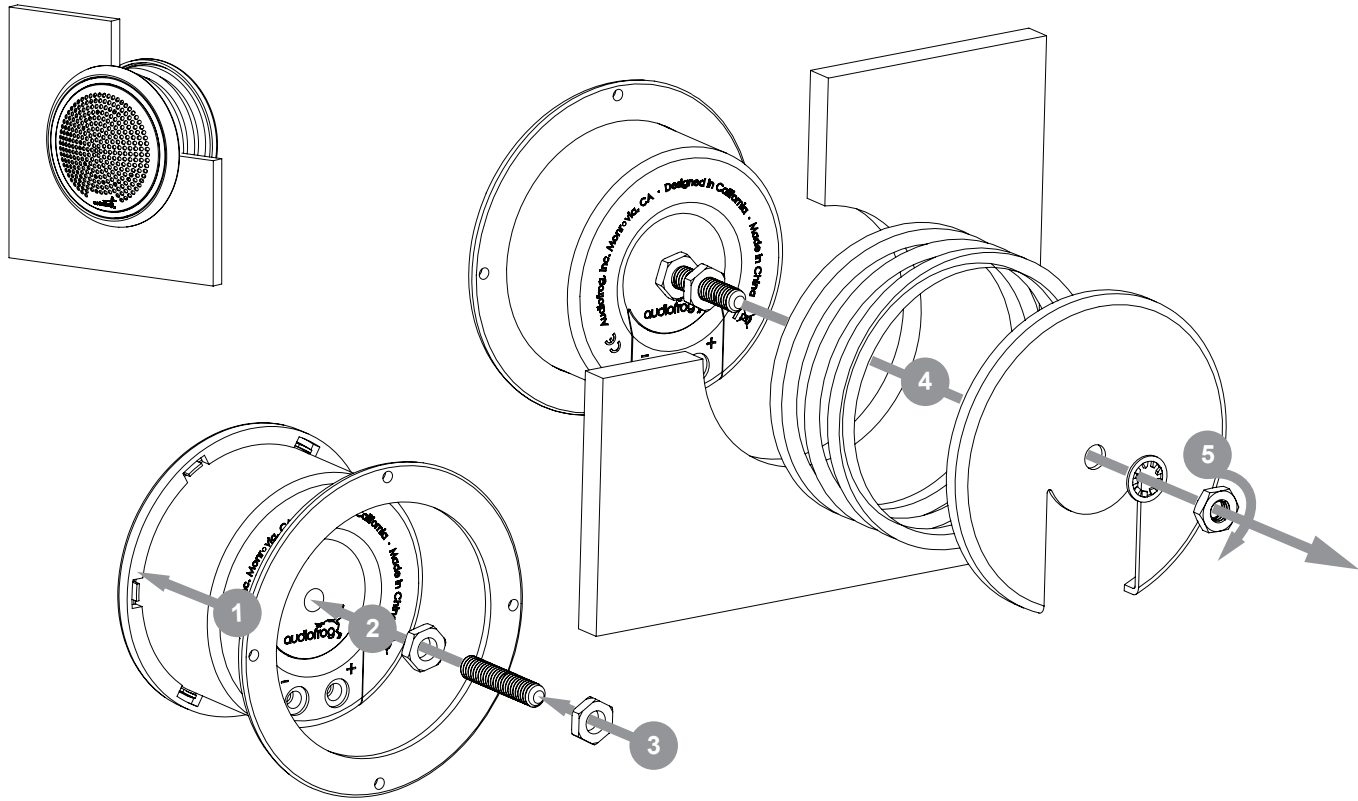
Do not overtighten!
Ne serrez pas trop!
No apriete demasiado!
Nicht zu fest anziehen!
Не затягивайте!
Não aperte demais!
Non stringere troppo!
Älä kiristä liikaa!
Niet te strak aandraaien!
Dra inte åt!
Undgå at overspænde!
Fazla sıkmayın!
Nie należy zbyt mocno!
Jangan kencangkan terlalu banyak!
不要拧得太紧！

GS40
GS60
GS690

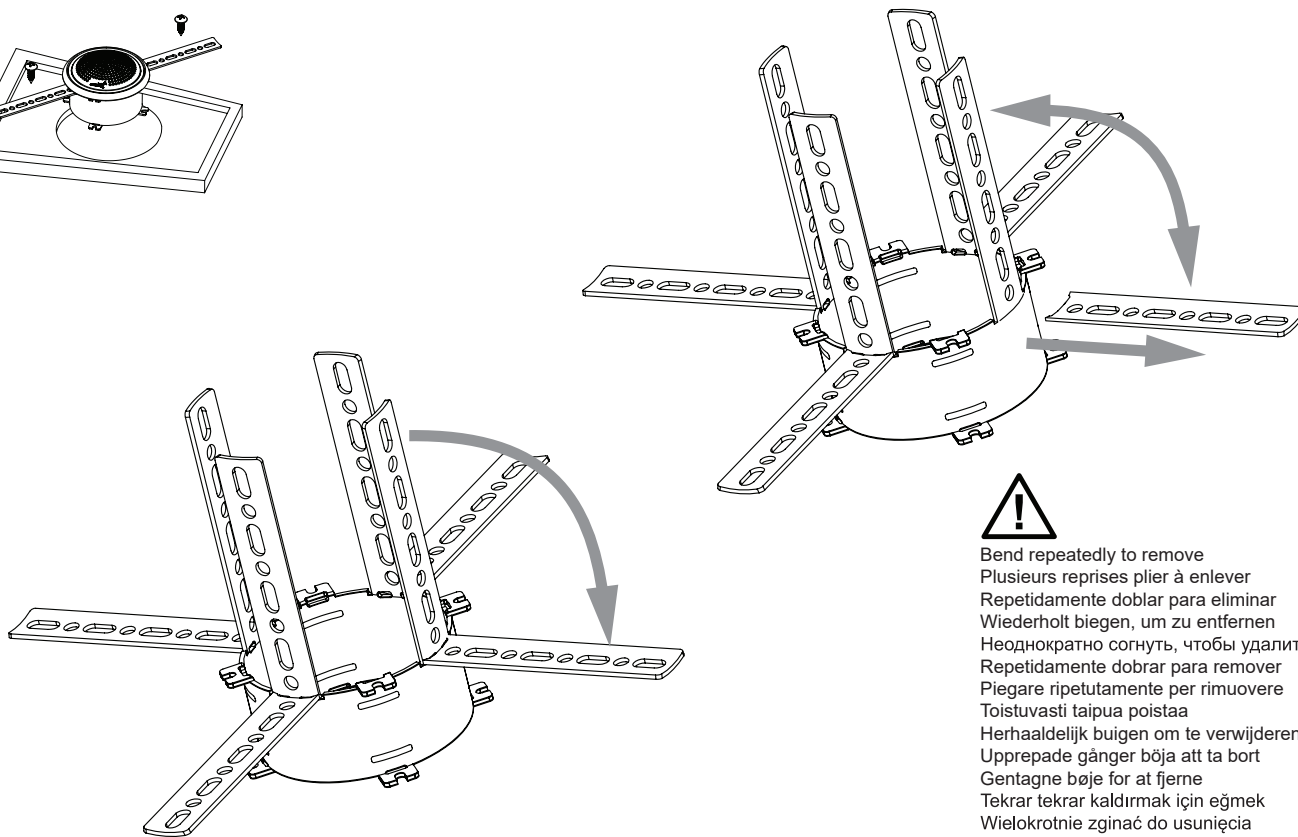
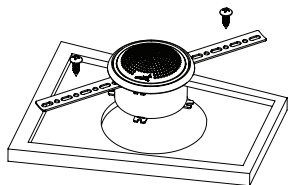


Do not solder wires directly to the terminals!
Ne soudez pas directement aux bornes!
No soldar los cables directamente a los terminales!
Löten Sie keine Drähte direkt an die Klemmen!
Не припаять провода непосредственно к клеммам!
Não solde os fios diretamente nos terminais!
Non saldare i fili direttamente ai terminali!
Älä juota johtoja suoraan liittimiin!
Laat draden niet direct solderen op de klemmen!
Löd inte kablar direkt till terminalerna!
Lod ikke ledninger direkte til terminalerne!
Terminallerine doğrudan telleri lehim yapmayın!
Nie lutować przewodów bezpośrednio do zacisków!
Jangan solder kabel langsung ke terminal!
不要直接焊接导线的接线端子！

GS10

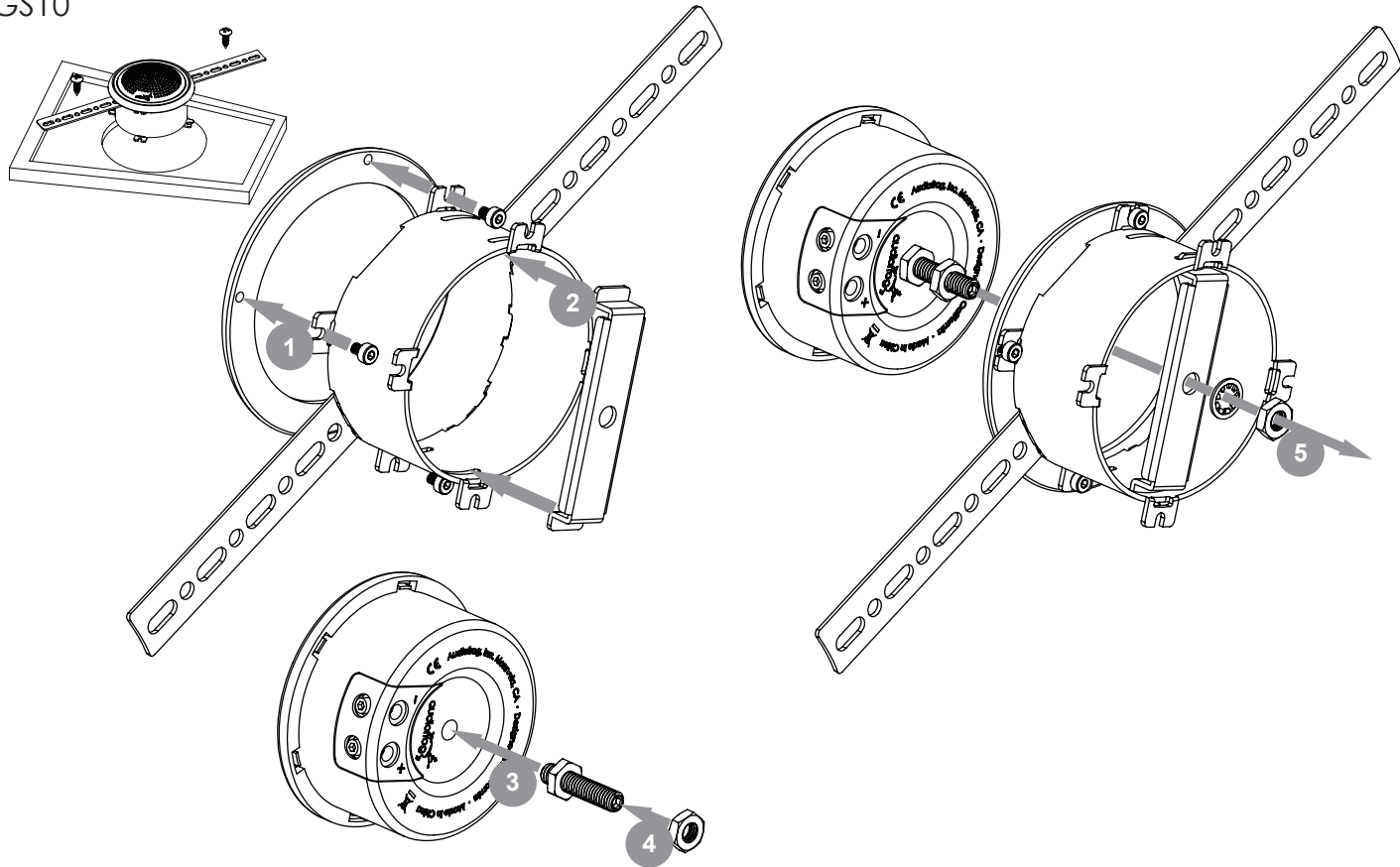


GS10

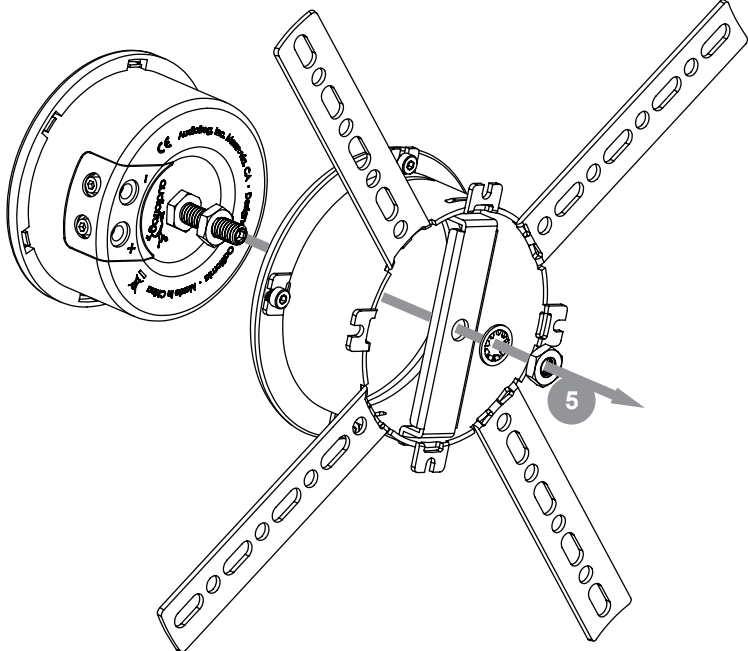
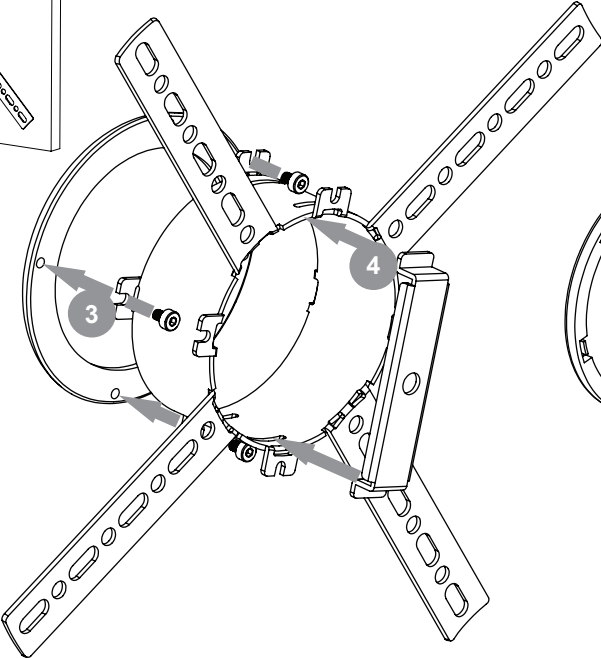
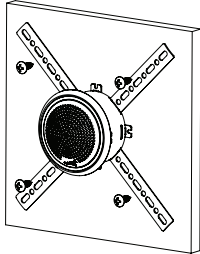


Bend repeatedly to remove
Plusieurs reprises plier à enlever
Repetidamente doblar para eliminar
Wiederholt biegen, um zu entfernen
Неоднократно согнуть, чтобы удалить
Repetidamente dobrar para remover
Piegare ripetutamente per rimuovere
Toistuvasti taipua poistaa
Herhaaldelijk buigen om te verwijderen
Upprepade gånger böja att ta bort
Gentagne bøje for at fjerne
Tekrar tekrar kaldırmak için eğmek
Wielokrotnie zginać do usunięcia
Berulang kali membungkuk untuk menghapus
弯曲几次，以除去

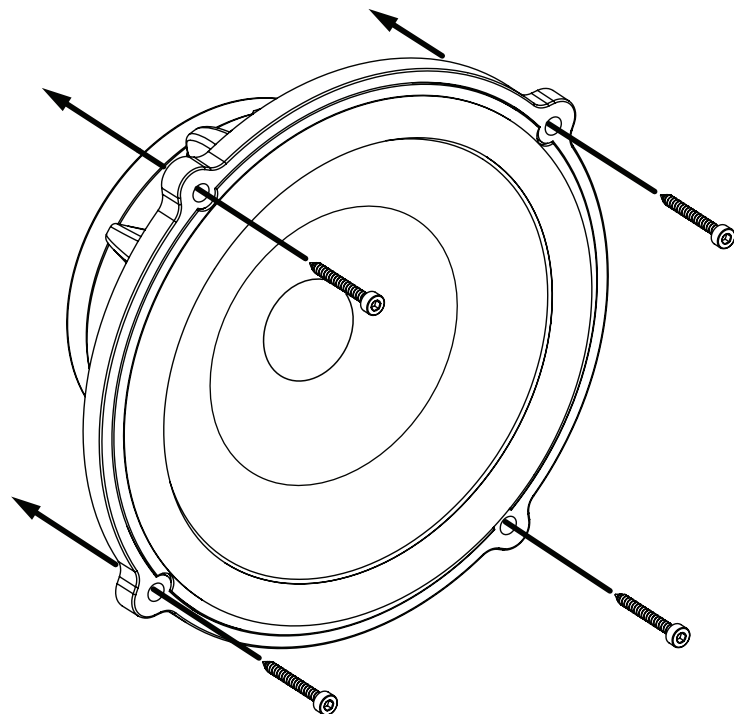
GS10



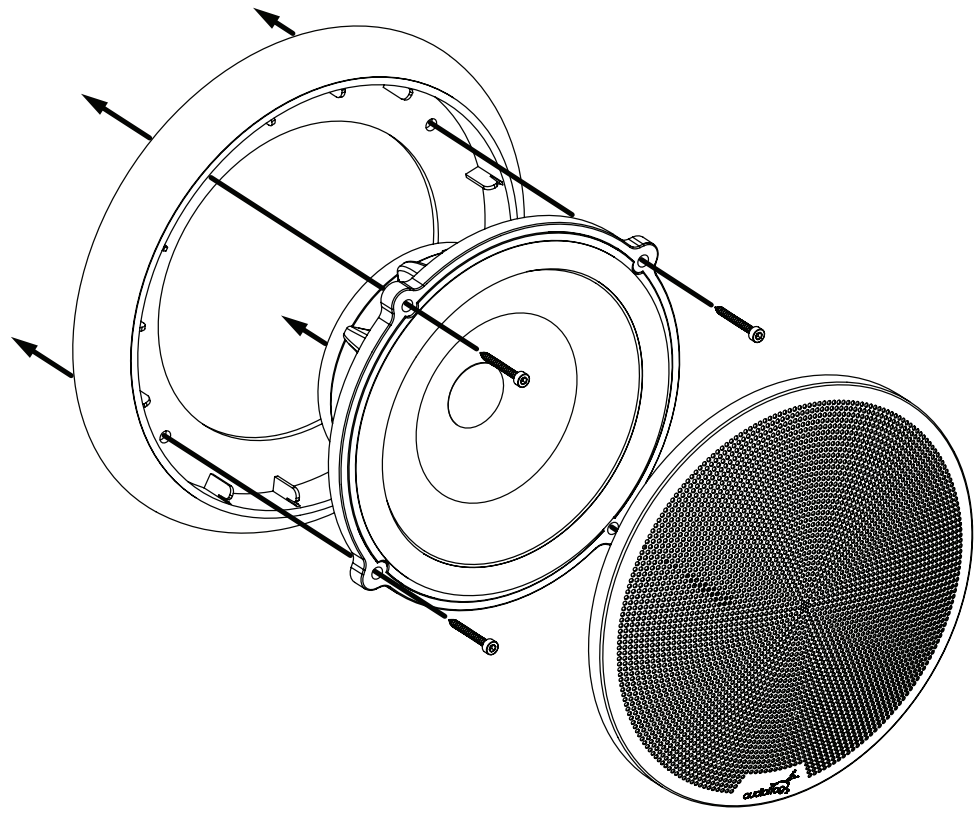
GS10



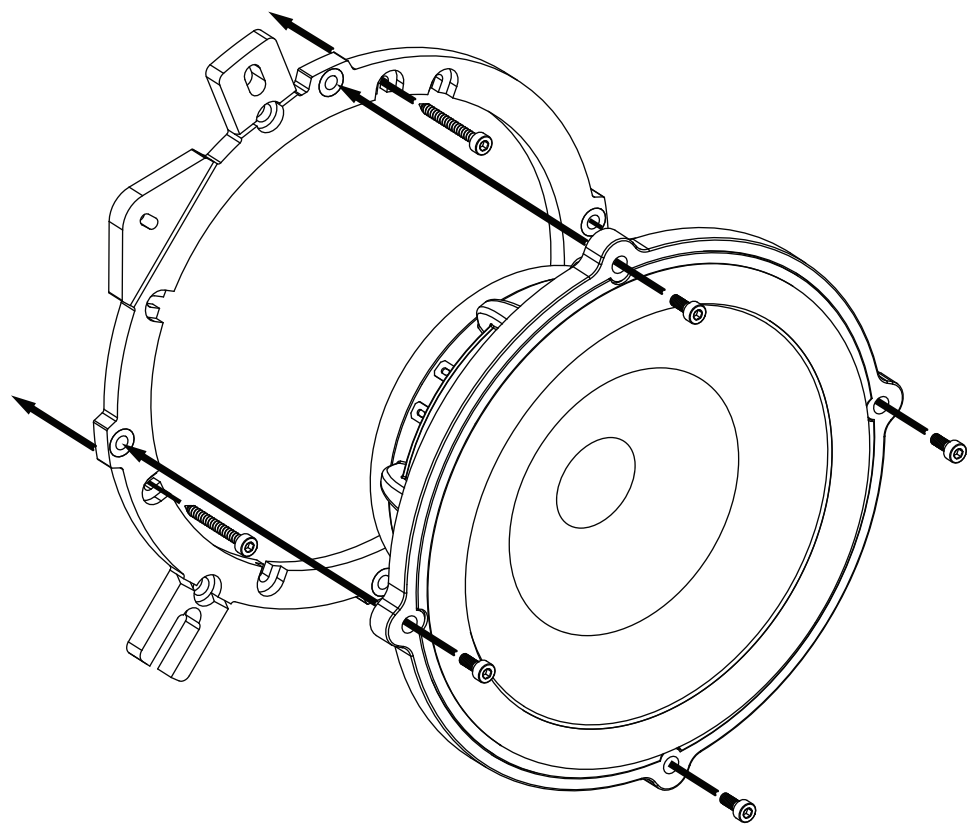
GS40
GS60
GS690



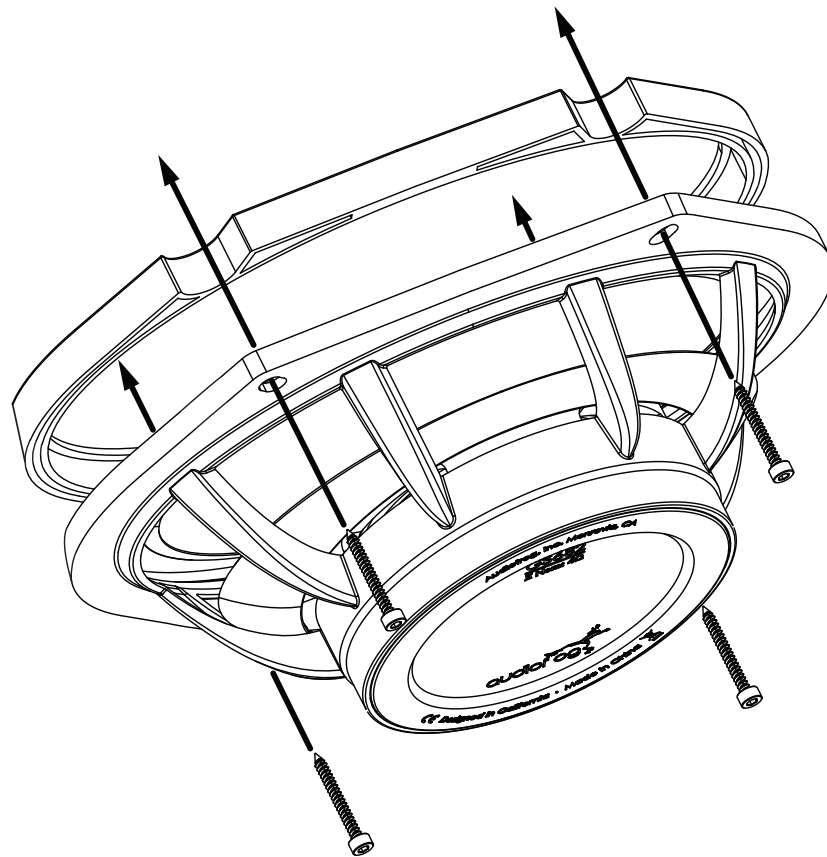
GS40
GS60



GS60



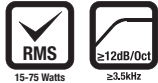
GS690



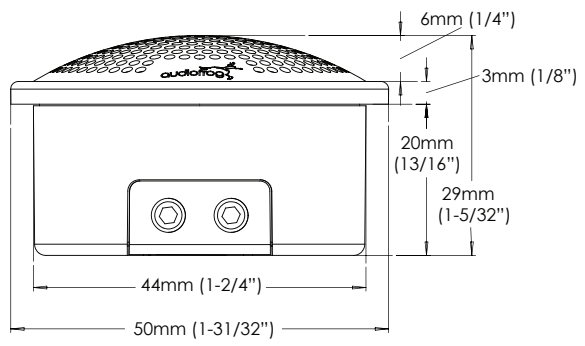
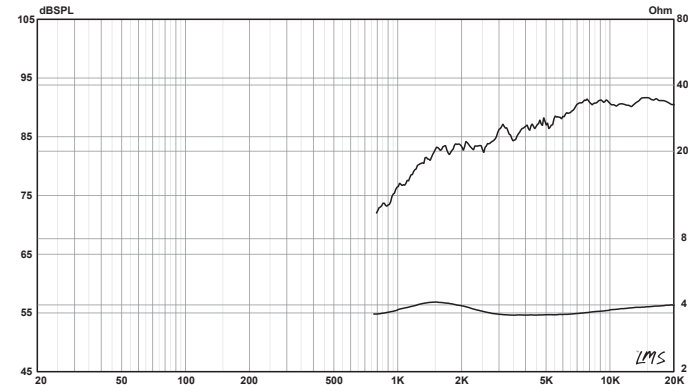
GS10



Technical Specifications • Spécifications Techniques • Especificaciones Técnicas • Technische Daten • Технические характеристики • Especificações Técnicas • Specifiche Tecniche • Tekniset Tiedot • Technische Specificaties • Tehniska Specifikationer • Tekniske Spøkkationer • Teknik Özellikler • Dane Techniczne • Spesifikasi Teknis • 技术规格



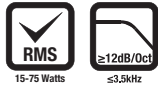
Recommendations • Recommendations • Recomendaciones • Empfehlung • Рекомендация • Recomendação • Raccomandazione • Suositus/Aanbeveling • Rekomendation • Anbefaling • Tavsiye • Rekomendacja • Rekomendasi • 推荐



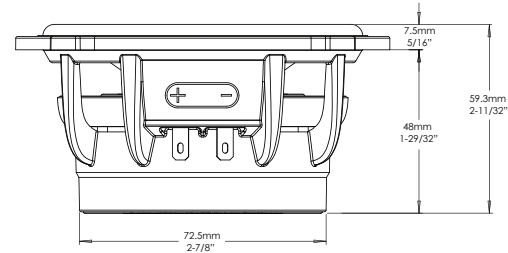
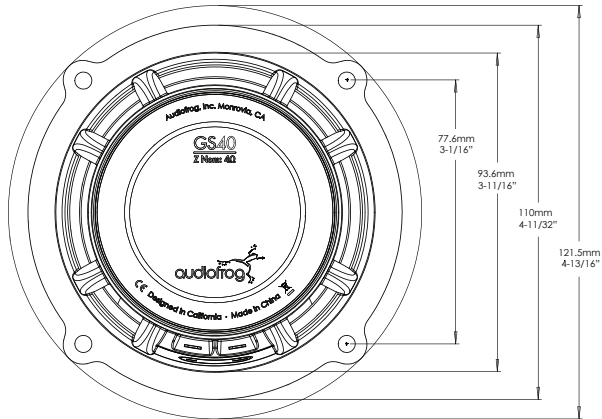
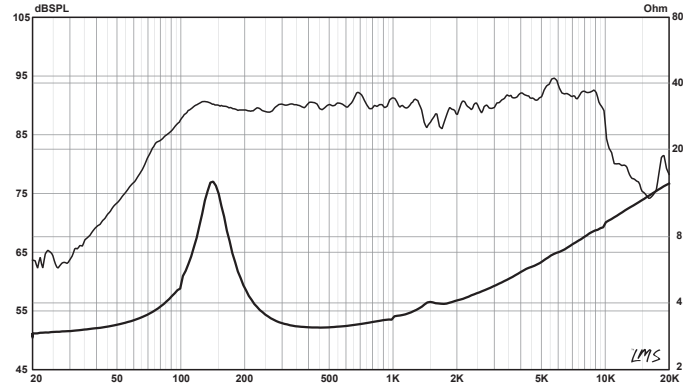
GS40



Technical Specifications • Spécifications Techniques • Especificaciones Técnicas • Technische Daten • Технические характеристики • Especificações Técnicas • Specifiche Tecniche • Teknisk Tiedot • Technische Specificaties • Tekniska Specifikationer • Tekniske Spesifikationer • Teknik Özellikler • Dane Techniczne • Spesifikasi Teknis • 技术规范



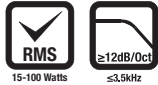
Recommendations • Recommendations • Recomendaciones • Empfehlung • Рекомендация • Recomendação • Raccomandazione • Suositus/Aanbeveling • Rekomendation • Anbefaling • Tavsiye • Rekomendacja • Rekomendasi • 推荐



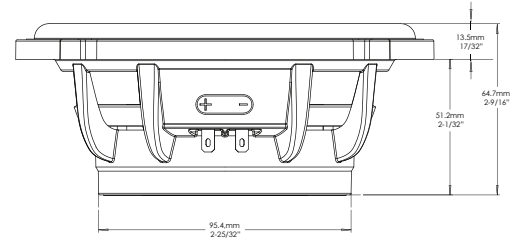
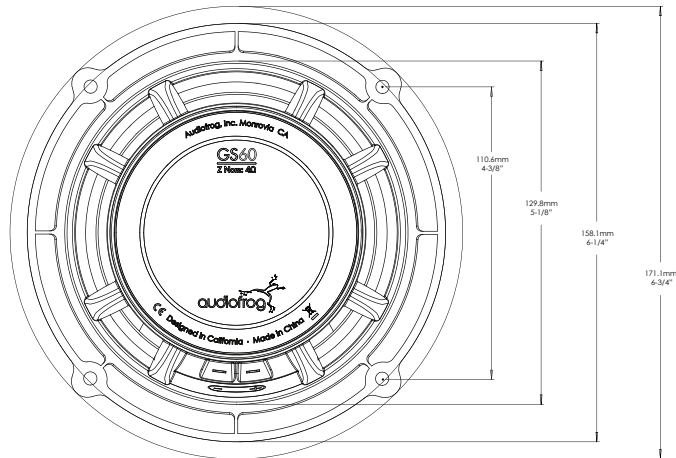
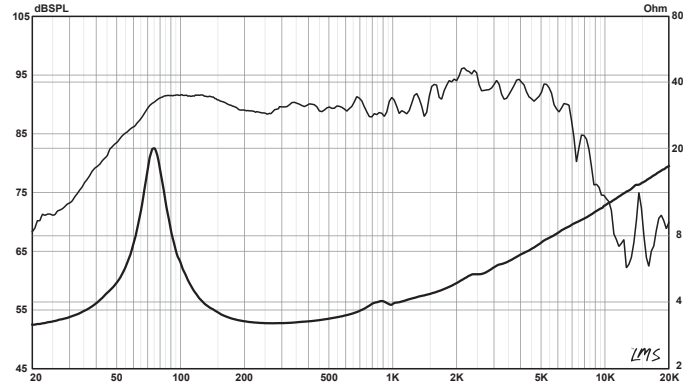
GS60



Technical Specifications • Spécifications Techniques • Especificaciones Técnicas •
 Technische Daten • Технические характеристики • Especificações Técnicas •
 Specifiche Tecniche • Tekniset Tiedot • Technische Specificaties • Techniska Specifikationer •
 Tekniske Spesifikationer • Teknik Özellikler • Dane Techniczne • Spesifikasi Teknis • 技术规范



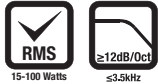
Recommendations • Recommendations • Recomendaciones • Empfehlung •
 Рекомендация • Recomendação • Raccomandazione • Suositus/Aanbeveling •
 Rekomendation • Anbefaling • Tavsiye • Rekomendacja • Rekomendasi • 推荐



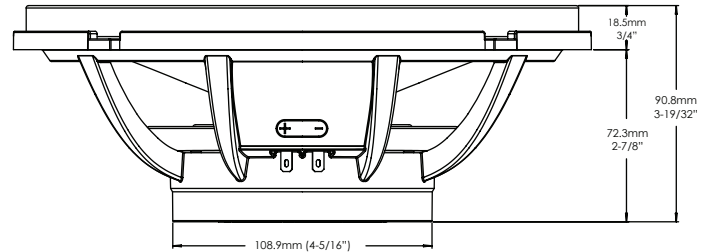
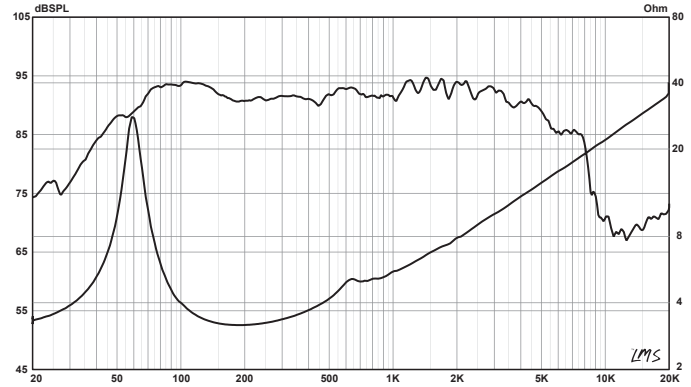
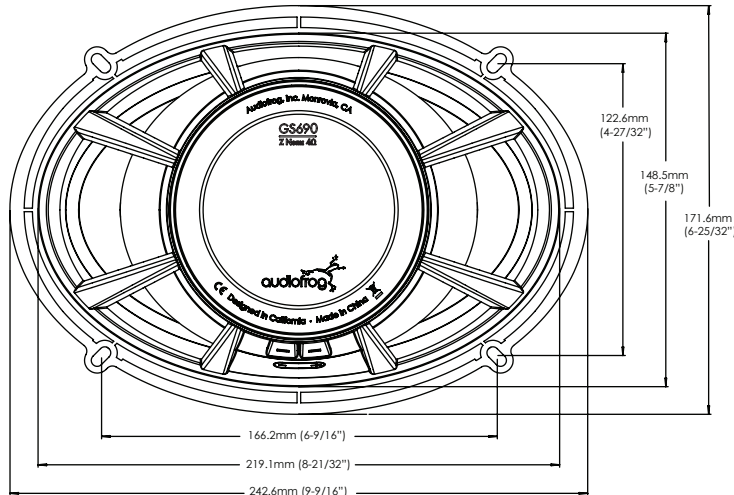
GS690



Technical Specifications • Spécifications Techniques • Especificaciones Técnicas • Technische Daten • Технические характеристики • Especificações Técnicas • Specifiche Tecniche • Tekniset Tiedot • Technische Specificaties • Tekniska Specifikationer • Tekniske Spesifikationer • Teknik Özellikler • Dane Techniczne • Spesifikasi Teknis • 技术规范



Recommendations • Recommendations • Recomendaciones • Empfehlung • Рекомендация • Recomendação • Raccomandazione • Suositus/Aanbeveling • Rekomendation • Anbefaling • Tavsiye • Rekomendacja • Rekomendasi • 推荐



GS40
GS60
GS690

	GS40	GS60	GS690
Revc (Ω)	2.33	2.28	2.31
Levc@1kHz (mH)	0.08	0.14	0.18
Sd (cm ²)	122.17	138.93	221
Mmd (g)	3.14	11.8	22.6
Mms (g)	4.19	12.75	24.46
Cms (uM/N)	284.23	306.5	314
Vas (l)	6.05	8.45	21.9
Fs (Hz)	145.8	80.5	58.3
BL (TM)	3.06	4.4	5.43
Qms	5.74	6.33	8.66
Qes	0.995	0.76	0.69
Qts	0.82	0.67	0.64
Xmax, 1-way linear (mm)	3.2	4	5
Voice Coil Diameter (mm)	25	25	25
Basket Displacement (l)	0.113	0.33	0.42

Limited Warranty--USA

Audiofrog GS Series products sold in the USA through authorized Audiofrog dealers are warranted to the original purchaser against defects in materials and workmanship for one year after the date of original purchase. They are covered for an additional year if they are installed by an authorized Audiofrog dealer. Please save your receipt. A valid receipt from an authorized Audiofrog dealer is required for warranty service. If you have purchased your GS Series products outside the USA, please consult your local distributor for warranty terms and conditions.

Audiofrog, Inc.
1703 S. Magnolia Ave.
Monrovia, CA 91016
www.audiofrogusa.com

Audiofrog and the Audiofrog logo are trademarks of Audiofrog, Inc, registered in the United States and/or other countries. Audiofrog et le logo sont des marques est une marque commerciale de Audiofrog, Inc déposée aux États-Unis et/ou dans d'autres pays.