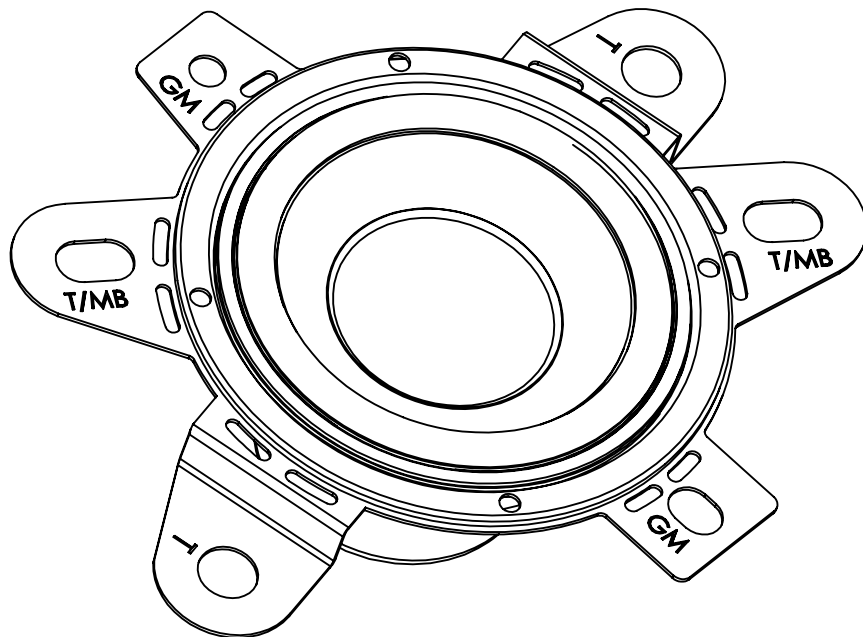


GS25

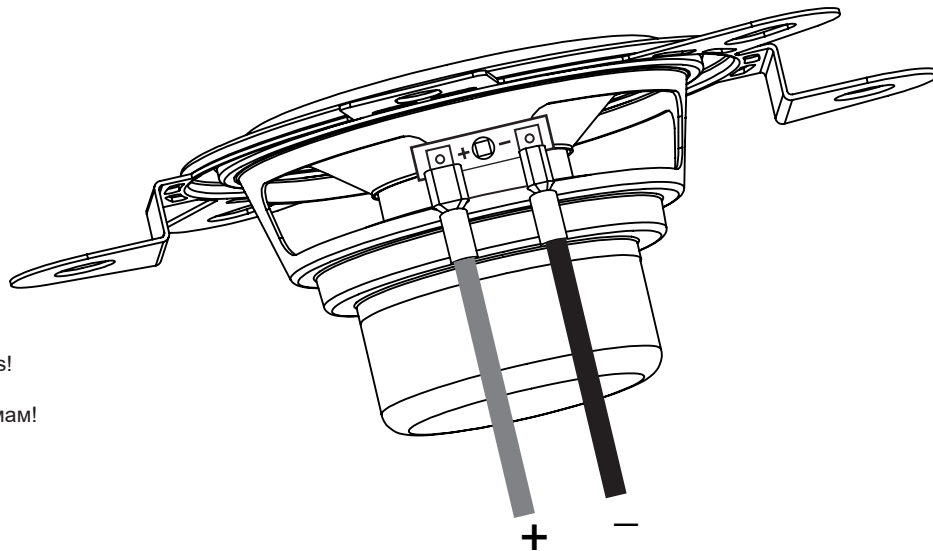
audiofrog

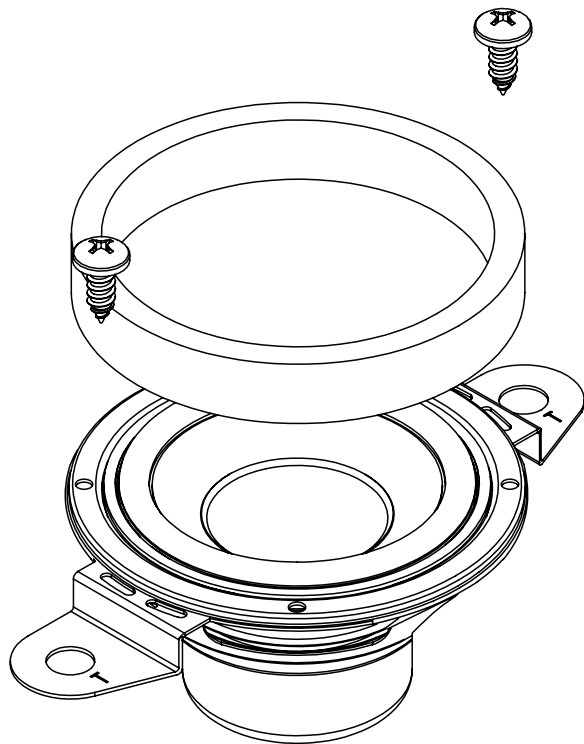
Instruction Manual
Mode d'emploi
Manual de instrucciones
Bedienungsanleitung
руководство по
эксплуатации
manual de Instruções
Manuale di istruzioni
Käyttöohje
Gebruiksaanwijzing
Bruksanvisning
Instruktionsbog
Kullanma Kılavuzu
Instrukcja obsługi
Manual Pemilik
使用说明书





Do not solder wires directly to the terminals!
Ne soudez pas directement aux bornes!
No soldar los cables directamente a los terminales!
Löten Sie keine Drähte direkt an die Klemmen!
Не припаять провода непосредственно к клеммам!
Não solde os fios diretamente nos terminais!
Non saldare i fili direttamente ai terminali!
Älä juota johtoja suoraan liittimiin!
Laat draden niet direct solderen op de klemmen!
Löd inte kablar direkt till terminalerna!
Lod ikke ledninger direkte til terminalerne!
Terminallerine doğrudan telleri lehim yapmayın!
Nie lutować przewodów bezpośrednio do zacisków!
Jangan solder kabel langsung ke terminal!
不要直接焊接导线的接线端子！





Toyota

Remove extra mounting brackets

Enlever les supports de fixation supplémentaires

Quitar los soportes de montaje adicionales

Entfernen Sie die zusätzlichen Montagehalterungen

卸下额外的安装支架

Lepaskan braket pemasangan tambahan

Fjern ekstra monteringsbeslag

Rimuovere le staffe di montaggio extra

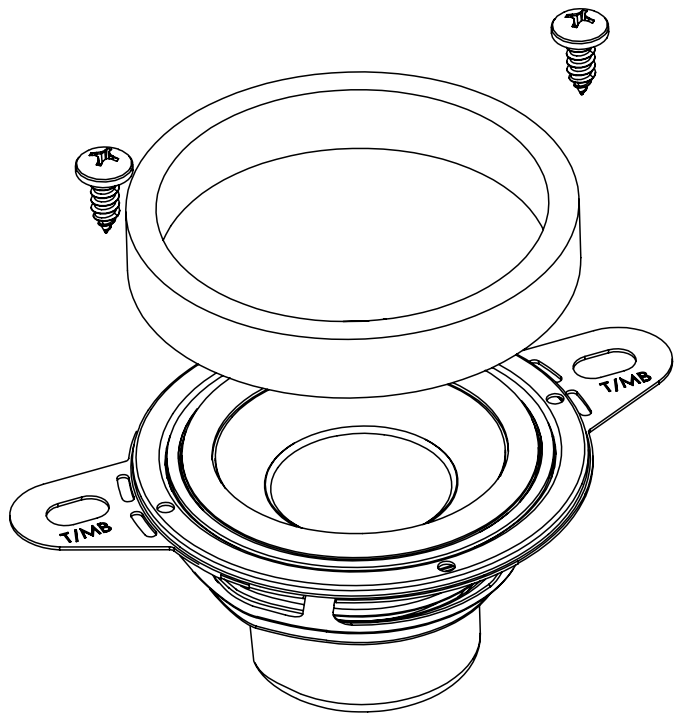
余分な取り付けブラケットを取り外す

추가 장착 브래킷을 제거하십시오.

Remove os suportes de montagem extras

удалить дополнительные монтажные кронштейны

Tháo khung gắn thêm



Toyota/Mercedes Benz

Remove extra mounting brackets

Enlever les supports de fixation supplémentaires

Quitar los soportes de montaje adicionales

Entfernen Sie die zusätzlichen Montagehalterungen

卸下额外的安装支架

Lepaskan braket pemasangan tambahan

Fjern ekstra monteringsbeslag

Rimuovere le staffe di montaggio extra

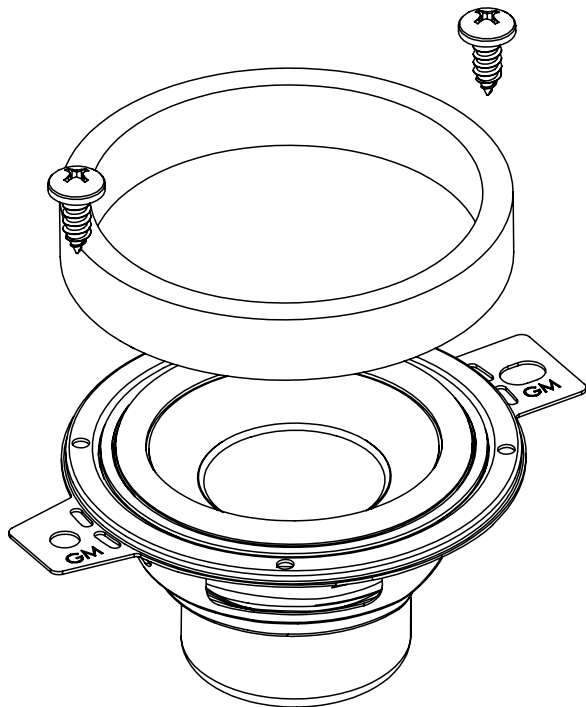
余分な取り付けブラケットを取り外す

추가 장착 브래킷을 제거하십시오.

Remove os suportes de montagem extras

удалить дополнительные монтажные кронштейны

Tháo khung gắn thêm



General Motors/Chevrolet/Bose

Remove extra mounting brackets

Enlever les supports de fixation supplémentaires

Quitar los soportes de montaje adicionales

Entfernen Sie die zusätzlichen Montagehalterungen

卸下额外的安装支架

Lepaskan braket pemasangan tambahan

Fjern ekstra monteringsbeslag

Rimuovere le staffe di montaggio extra

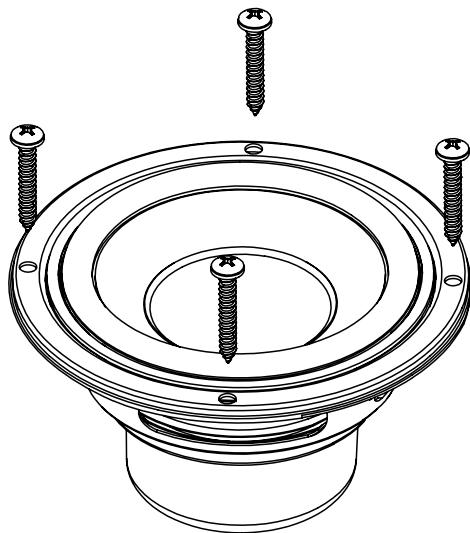
余分な取り付けブラケットを取り外す

추가 장착 브래킷을 제거하십시오.

Remove os suportes de montagem extras

удалить дополнительные монтажные кронштейны

Tháo khung gắn thêm



Universal

Remove extra mounting brackets

Enlever les supports de fixation supplémentaires

Quitar los soportes de montaje adicionales

Entfernen Sie die zusätzlichen Montagehalterungen

卸下额外的安装支架

Lepaskan braket pemasangan tambahan

Fjern ekstra monteringsbeslag

Rimuovere le staffe di montaggio extra

余分な取り付けブラケットを取り外す

추가 장착 브래킷을 제거하십시오.

Remove os suportes de montagem extras

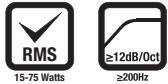
удалить дополнительные монтажные кронштейны

Tháo khung gắn thêm

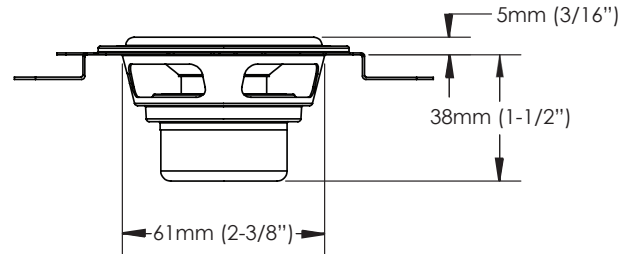
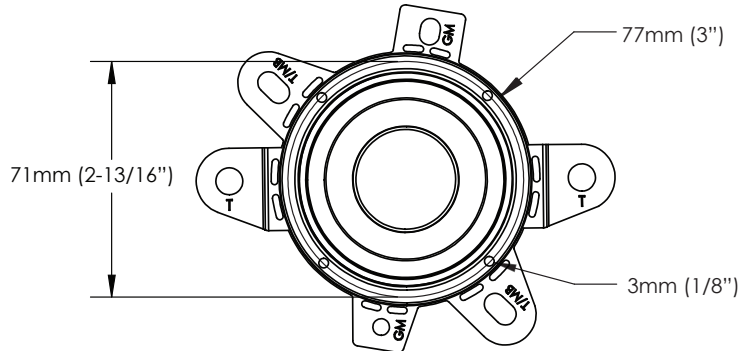
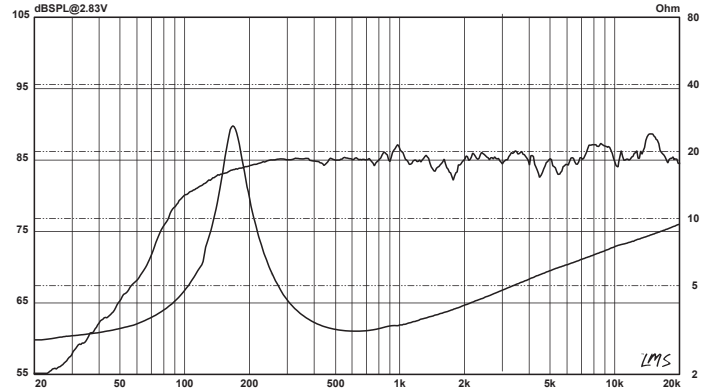
GS25



Technical Specifications • Spécifications Techniques • Especificaciones Técnicas •
 Technische Daten • Технические характеристики • Especificações Técnicas •
 Specifiche Tecniche • Tekniset Tiedot • Technische Specificaties • Tekniska Specifikationer •
 Tekniske Spøikationer • Teknik Özellikler • Dane Techniczne • Spesifikasi Teknis • 技术规格



Recommendations • Recommendations • Recomendaciones • Empfehlung •
 Рекомендация • Recomendação • Raccomandazione • Suositus • Aanbeveling •
 Rekomendation • Anbefaling • Tavsiye • Rekomendacja • Rekomendasi • 推荐



GS25

Limited Warranty--USA

Audiofrog GS Series products sold in the USA through authorized Audiofrog dealers are warranted to the original purchaser against defects in materials and workmanship for one year after the date of original purchase. They are covered for an additional year if they are installed by an authorized Audiofrog dealer. Please save your receipt. A valid receipt from an authorized Audiofrog dealer is required for warranty service. If you have purchased your GS Series products outside the USA, please consult your local distributor for warranty terms and conditions.

Audiofrog, Inc.
1703 S. Magnolia Ave.
Monrovia, CA 91016
www.audiofrogusa.com

Audiofrog and the Audiofrog logo are trademarks of Audiofrog, Inc, registered in the United States and/or other countries. Audiofrog et le logo sont des marques est une marque commerciale de Audiofrog, Inc déposée aux États-Unis et/ou dans d'autres pays.

GS40

Revc (Ω)	2.29
Levc@1kHz (mH)	0.06
Sd (cm ²)	23
Mmd (g)	3.14
Mms (g)	3.21
Cms (uM/N)	242
Vas (l)	.181
Fs (Hz)	180.5
BL (TM)	3.38
Qms	7.07
Qes	0.73
Qts	0.66
Xmax, 1-way linear (mm)	4
Voice Coil Diameter (mm)	25
Basket Displacement (l)	0.05