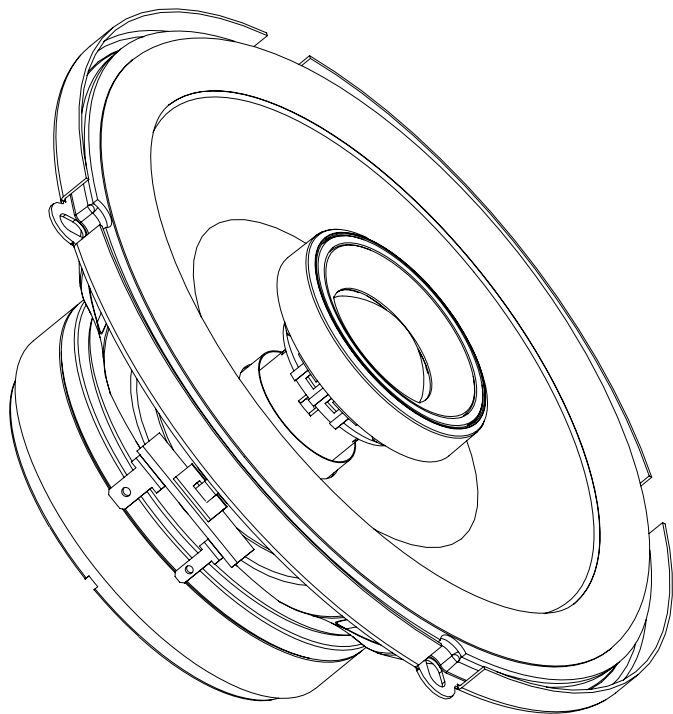
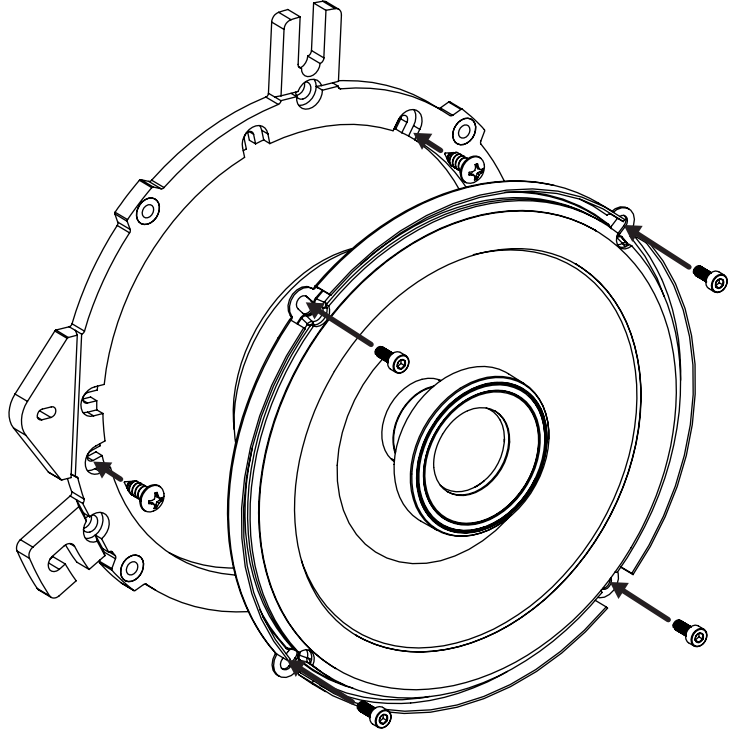
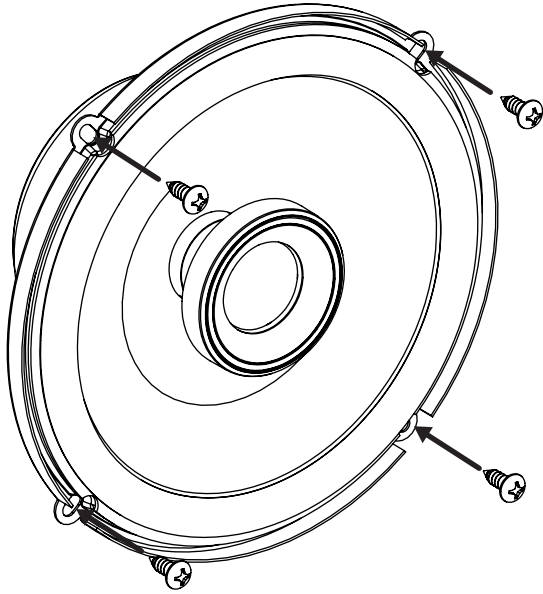


G62

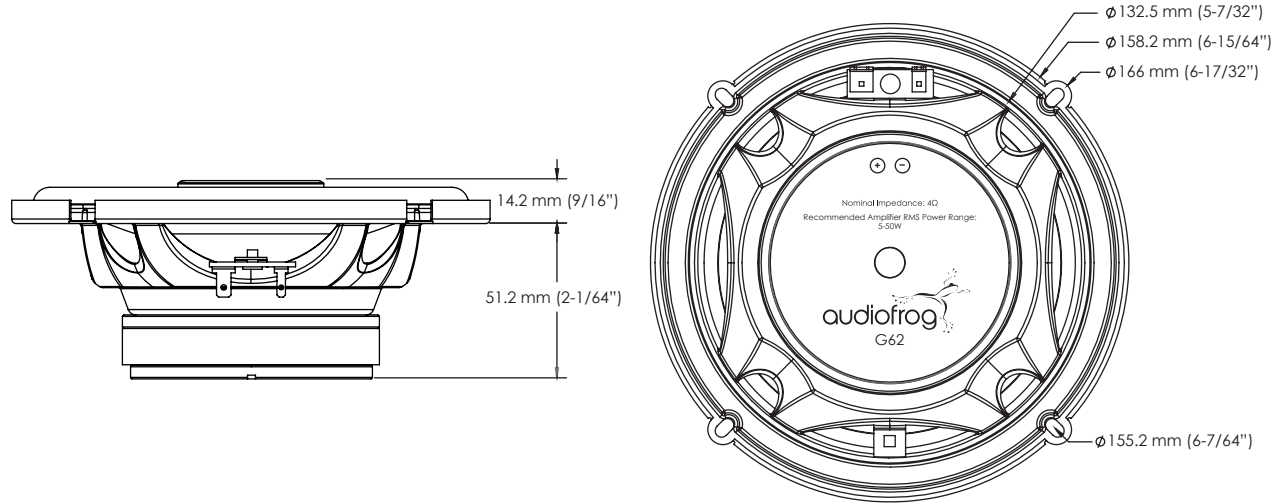


Instruction Manual
Mode d'emploi
Manual de Instrucciones
Bedienungsanleitung
Руководство по
эксплуатации
Manual de Instruções
Manuale di Istruzioni
Käyttöohje
Gebruiksaanwijzing
Bruksanvisning
Instruktionsbog
Kullanma Kılavuzu
Instrukcja Obsługi
Manual Pemilik
使用说明书

G62



G62





50 Watts



120 Watts



4Ω



50Hz-20kHz



89dB

Technical Specifications • Spécifications Techniques • Especificaciones Técnicas • Technische Daten • Технические характеристики • Especificações Técnicas • Specifiche Tecniche • Tekniset Tiedot • Technische Specificaties • Tekniska Specifikationer • Tekniske Spesifikationer • Teknik Özellikler • Dane Techniczne • Spesifikasi Teknis • 技术规格



15-75 Watts

Recommendations • Recommendations • Recomendaciones • Empfehlung • Рекомендация • Recomendação • Raccomandazione • Suositus • Aanbeveling • Rekomendation • Anbefaling • Tavsiye • Rekomendacja • Rekomendasi • 推荐

Limited Warranty--USA

Audiofrog G Series products sold in the USA through authorized Audiofrog dealers are warranted to the original purchaser against defects in materials and workmanship for one year after the date of original purchase. Please save your receipt. A valid receipt from an authorized Audiofrog dealer is required for warranty service. If you have purchased your G Series products outside the USA, please consult your local distributor for warranty terms and conditions.

Audiofrog, Inc.
2774 E. Walnut St.
Pasadena, CA 91107
www.audiofrog.com

Audiofrog and the Audiofrog logo are trademarks of Audiofrog, Inc, registered in the United States and/or other countries. Audiofrog, et le logo sont des marques est une marque commerciale de Audiofrog, Inc déposée aux États-Unis et dans d'autres pays.

