

GB100E-0001

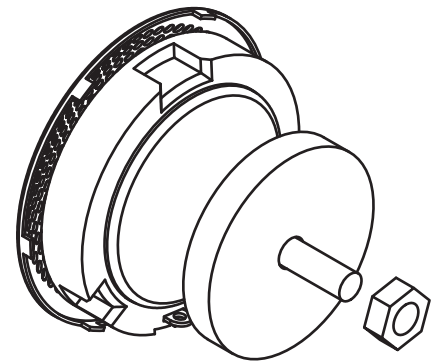
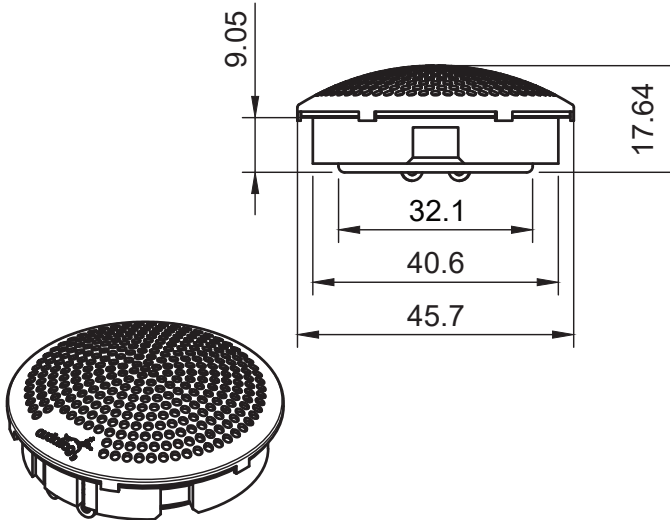


Specifications and Recommendations:

Nominal Impedance	4Ω
Frequency Response (-3dB)	1.8kHz - 24kHz
Power Handling (RMS)*	100W
Power Handling (Peak)*	300W
Recommended Power (RMS)*	12W - 100W
Recommended High Pass Filter	2500Hz, 24dB/Oct
Free Air Resonance (Fs)	1500Hz

*With Recommended High Pass Filter

Dimensions:



Fitment Information:

Universal fit for custom mounting where we do not have a dedicated Audiofrog OE tweeter model.

Please check your car's tweeter location and housing dimensions to confirm that the GB100E-0001 will fit.

Installation Steps and Precautions:

Installation of Audiofrog OE tweeter:

- The Audiofrog GB100E-0001 tweeter includes a mounting disc with a stud and nut that can be adhered to the back of the tweeter using the double-sided tape that is attached to the disc.
- The stud can be used to attach the tweeter to a factory-supplied bracket, a backstrap or some other custom mount.

Limited Warranty (USA): Audiofrog GB Series products sold in the USA through authorized Audiofrog dealers are warranted to the original purchaser against defects in materials and workmanship for one year after the date of original purchase. They are warranted for an additional two years if they are installed by an authorized Audiofrog dealer. Please save your receipt. A valid receipt from an authorized Audiofrog dealer is required for warranty service. If you purchased your GB Series products outside the USA, please consult your local distributor for warranty terms and conditions.

Audiofrog and the Audiofrog logo are trademarks of Audiofrog, Inc, registered in the United States and/or other countries. Audiofrog et le logo sont des marques est une marque commerciale de Audiofrog, Inc déposée aux États-Unis et/ou dans d'autres pays.

Audiofrog, Inc. 419 S. Mission Dr. San Gabriel, CA 91776 +1 (707) 600-FROG
www.audiofrog.com